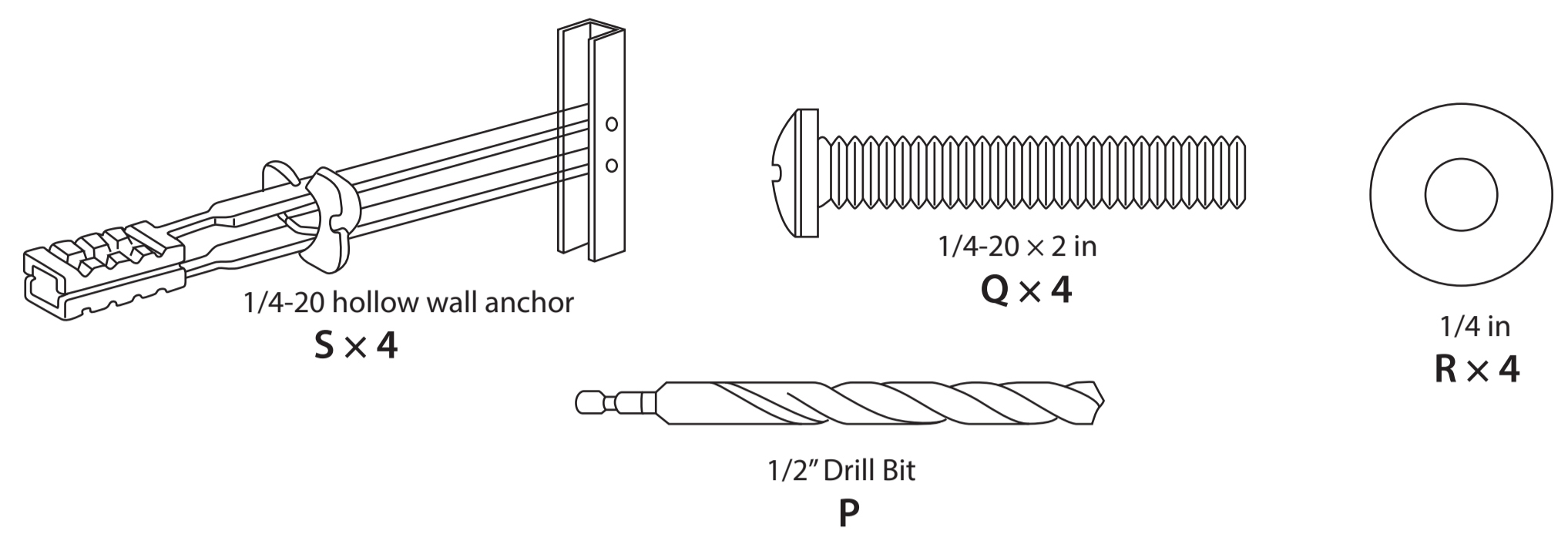
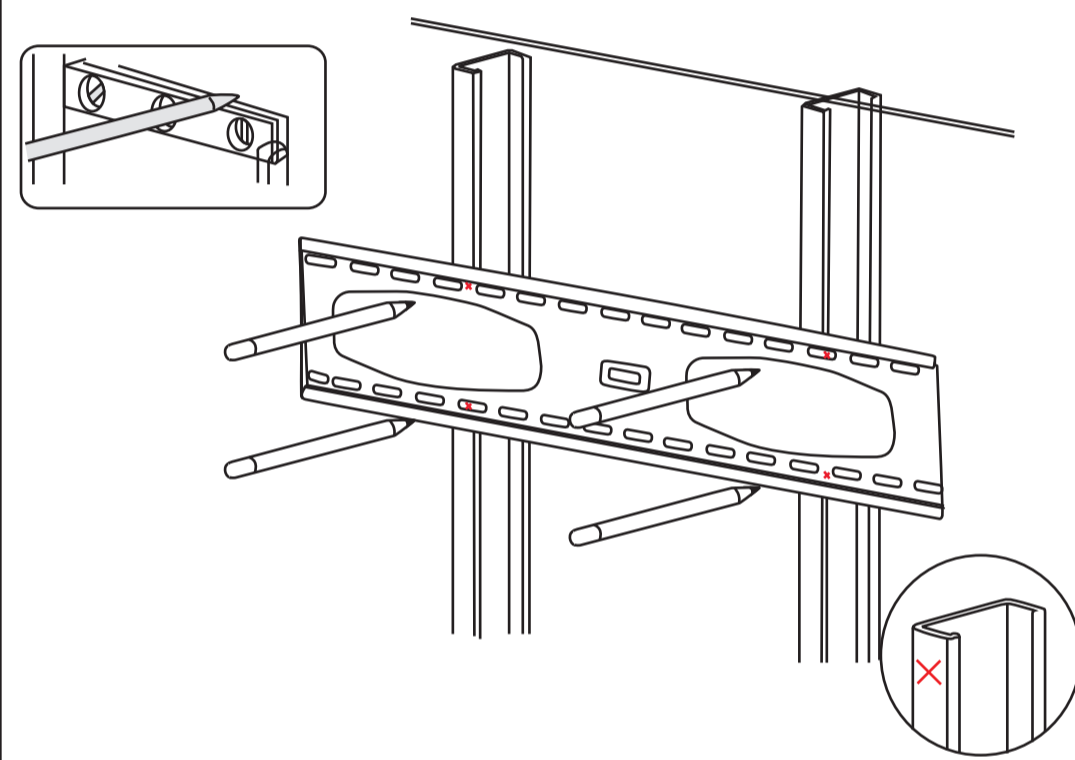


Drywall/Metal Stud Installation Kit

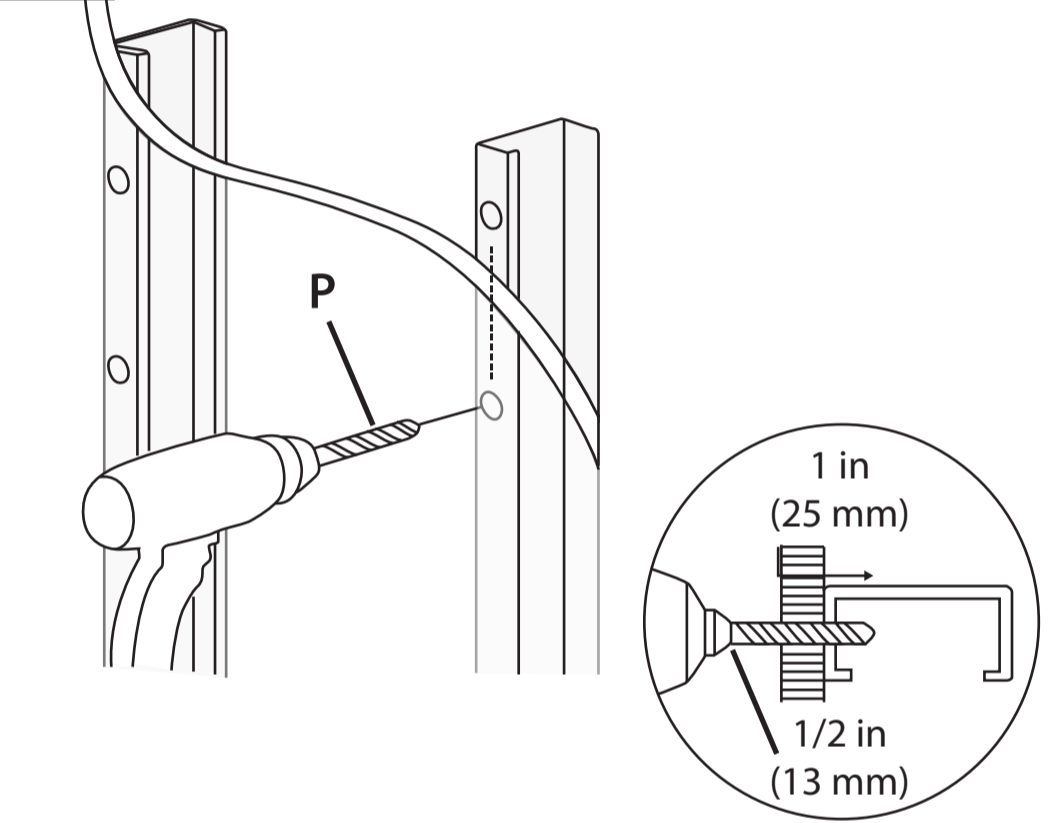


1 TV must not weigh more than 80lbs



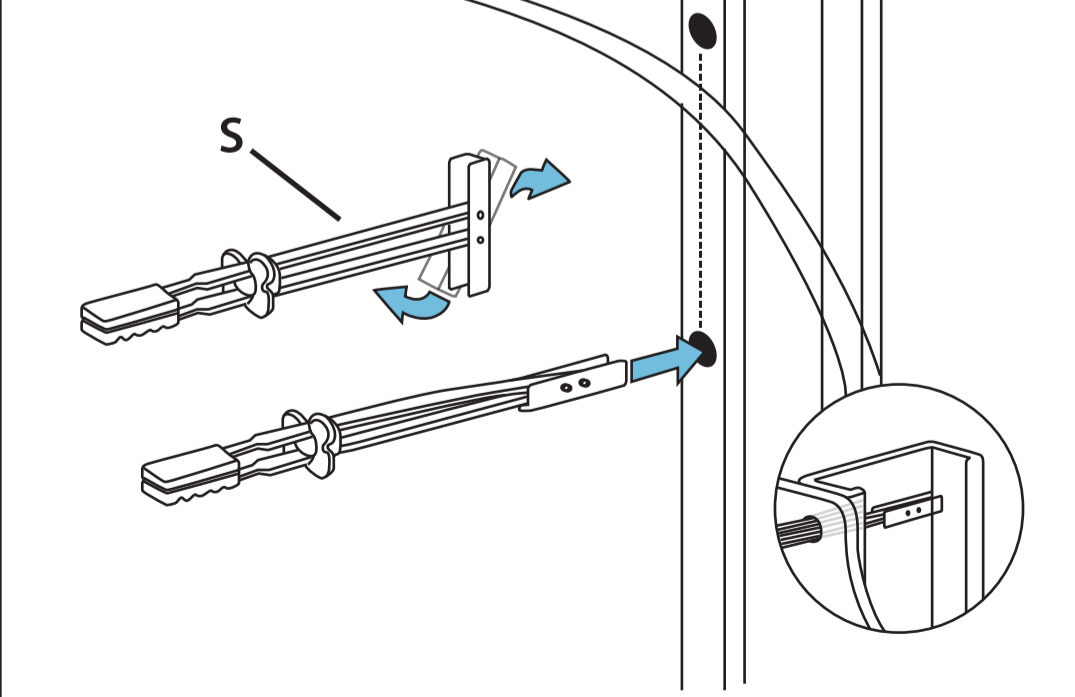
- 1a. Locate stud and mark centre of studs on the wall with a pencil
- 1b. Place wall plate at your desired height and position over your studs. Level wall plate and mark hole on the wall

2



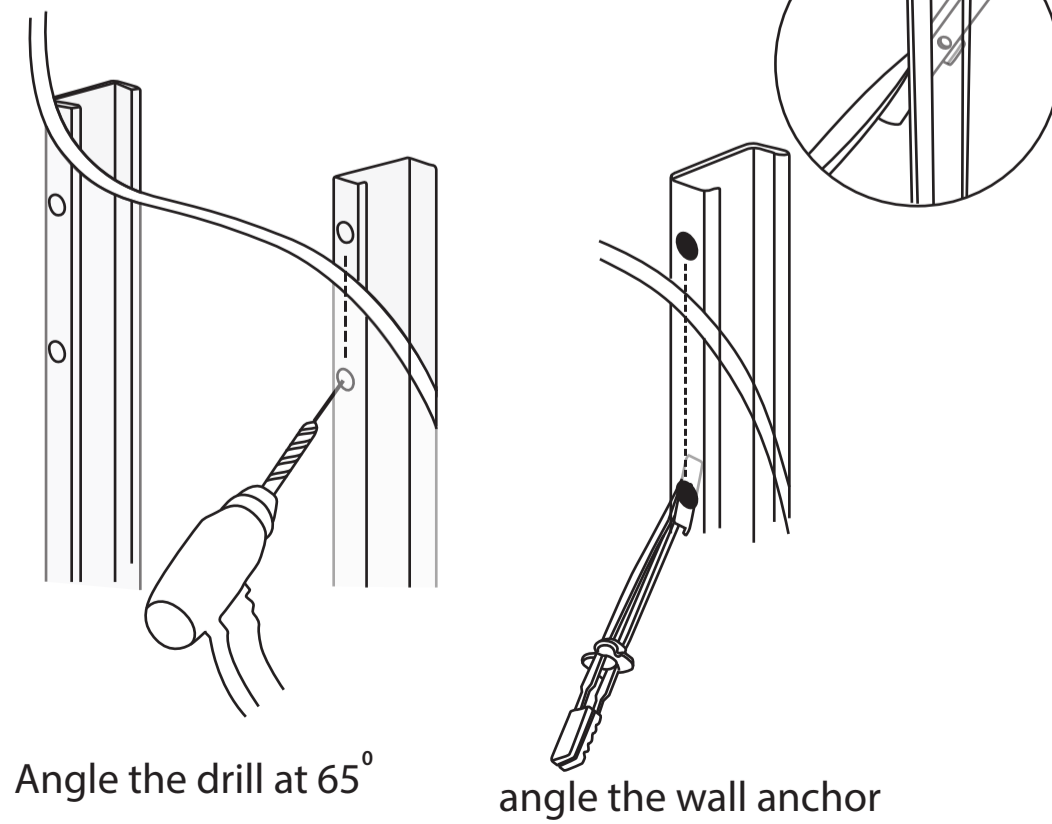
2. Drill four holes to a depth of 1 in. (26 mm), using a 1/2 in. (13 mm.) diameter drill bit

3

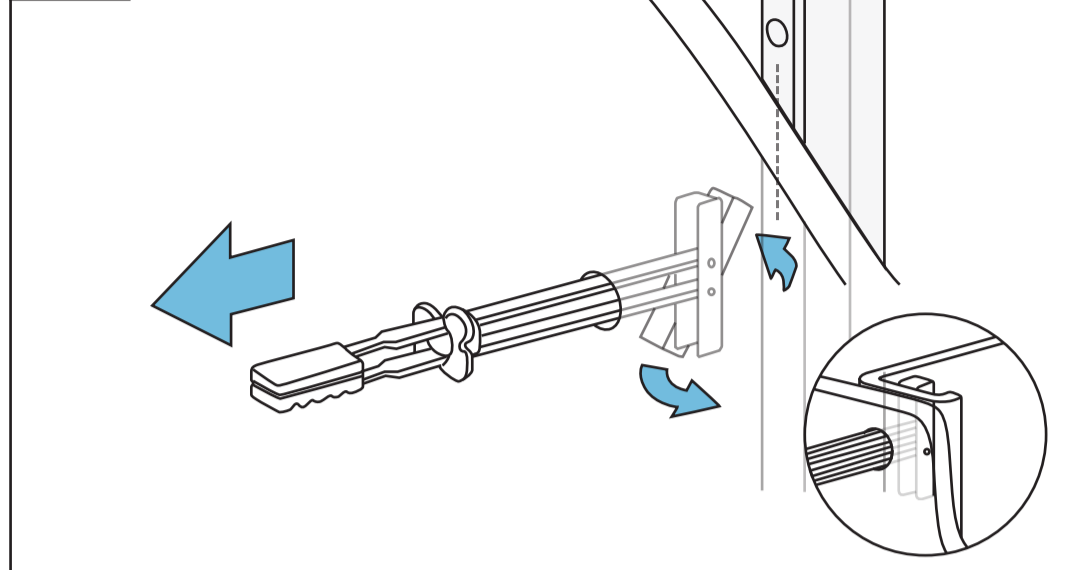


3. Insert wall anchors by folding metal channel until it is flat with the plastic straps. Slide the metal channel into the drilled hole.

3b For narrow stud

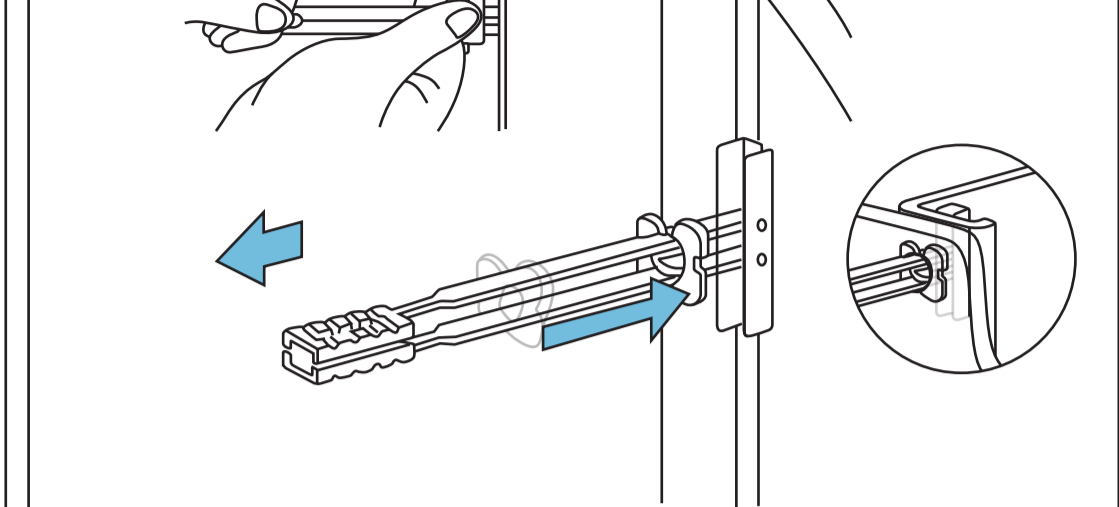


4



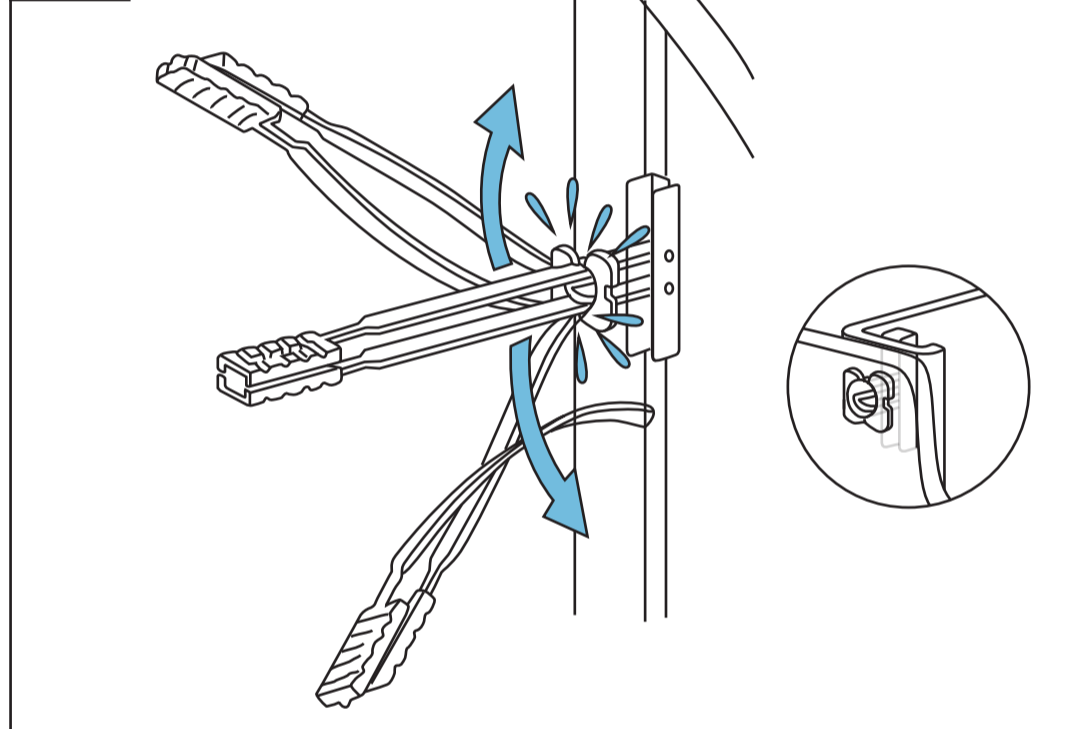
4. Hold the plastic straps by the end and pull towards you until the metal channel is flush behind the wall.

5



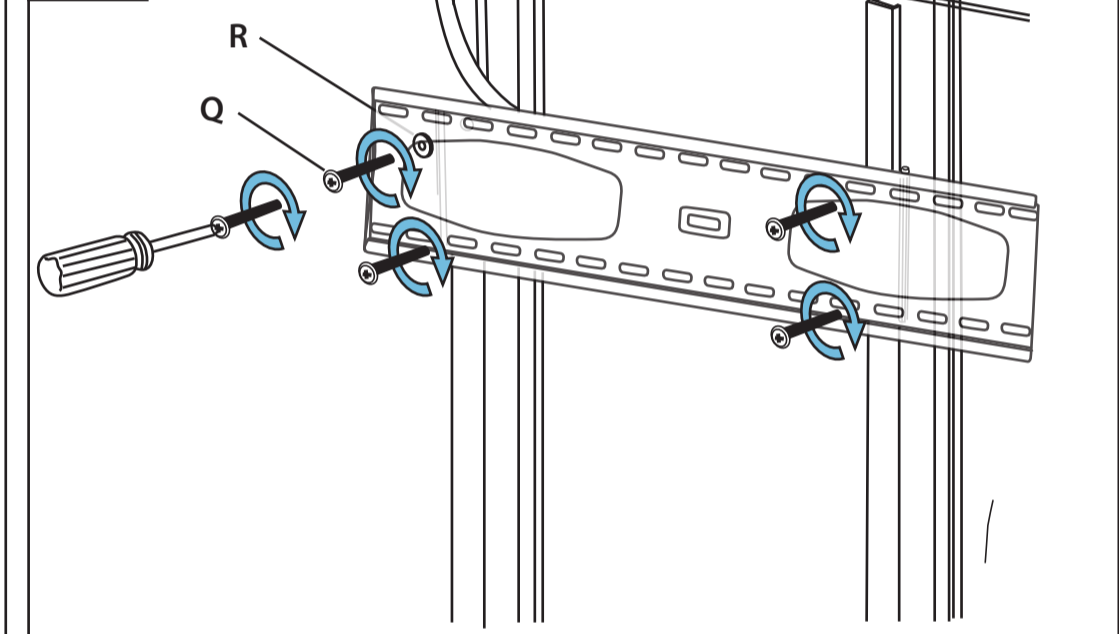
5. Hold ends of straps together between thumb & forefinger and pull toward you until channel rests behind wall. Ratchet cap along straps with other hand until flange of cap is flush with wall.

6



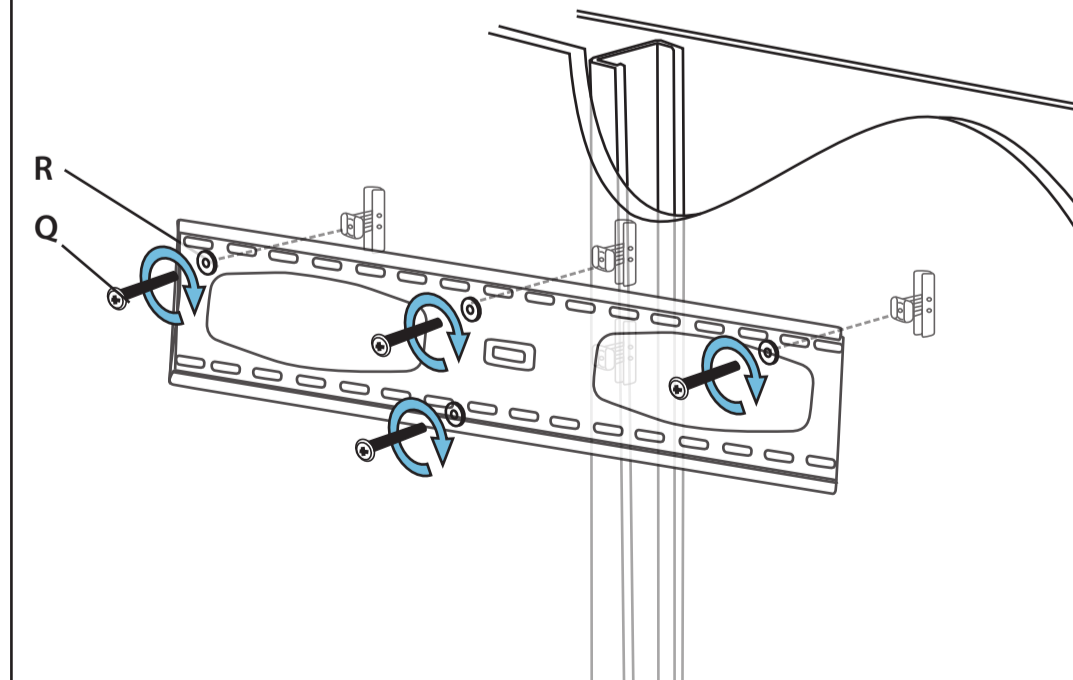
6. Bend the straps side to side until they snap off level with the flange of the cap.

7

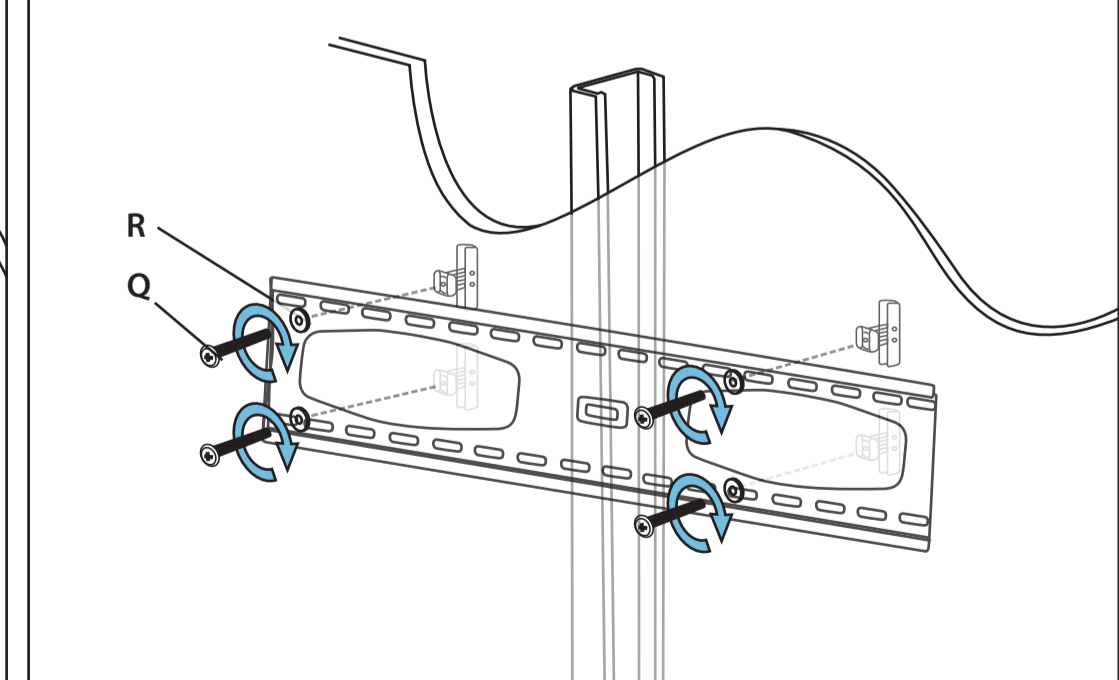


7. Install the wall plate using four screws Q and washers R. Tighten all screws Q only until they are pulled firmly against the wall plate. Once wall mount is secured, proceed to main instructions to mount TV.

Single Stud Mounting Option

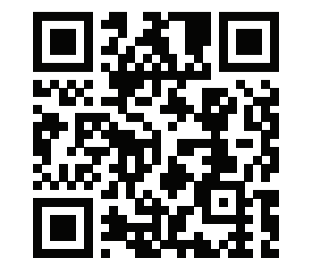


Drywall Mounting Option



Want to watch a video that shows how easy this DIY project will be?

Watch it now at: www.condomounts.com/metalstud



CAUTION:

 **CAUTION:** Avoid potential personal injuries and property damage!

- The wall must be capable of supporting five times the weight of the TV and mount combined.
- Manufacturer is not responsible for damage or injury caused by incorrect assembly or use.
- If you do not understand these instructions, or have doubts about the safety of the installation, assembly or use of this product, contact manufacturer Customer Service or call a qualified contractor.
- If back side of wall is unfinished, drywall must be installed to a minimum of one stud left and right of the stud(s) being used to install the mount.
- Drywall must be a minimum of 13 mm (1/2 in.) thick on each side of the studs, and a minimum clearance of 48 mm (1 7/8 in.) behind the wall is required.
- Pilot holes **MUST** be drilled to a depth of 25 mm (1 in.), using a 13 mm (1/2 in.) diameter drill bit.